

74AUP1T1326

Low-power dual supply buffer/line driver; 3-state

Rev. 2 — 16 July 2018

Product data sheet

1 General description

The 74AUP1T1326 is a high-performance, low-power, low-voltage, single-bit, dual supply buffer/line driver with output enable circuitry.

The 74AUP1T1326 is designed for logic-level translation applications and combines the functions of the 74AUP1G32 and 74AUP1G126. The buffer/line driver is controlled by two output enable Schmitt trigger inputs (1OE and 2OE) through an OR-gate. The output enable inputs accept standard input signals and are capable of transforming slowly changing input signals into sharply defined, jitter-free output signals. The output of the OR-gate is also available at output 1Y.

The output enable inputs (1OE and 2OE) switch at different points for positive and negative-going signals. The difference between the positive voltage V_{T+} and the negative voltage V_{T-} is defined as the input hysteresis voltage V_H .

Both $V_{CC(A)}$ and $V_{CC(B)}$ can be supplied at any voltage between 1.1 V and 3.6 V making the device suitable for interfacing between any of the low voltage nodes (1.2 V, 1.5 V, 1.8 V, 2.5 V and 3.3 V) with compatible input levels. Pins 1OE, 2OE and 1Y are referenced to $V_{CC(A)}$ and pins A and 2Y are referenced to $V_{CC(B)}$. A logic LOW on both output enable pins causes the output 2Y to assume a high-impedance OFF-state.

The device ensures low static and dynamic power consumption and is fully specified for partial power down applications using I_{OFF} . The I_{OFF} circuitry disables the outputs, preventing any damaging backflow current through the device when it is powered down.

2 Features and benefits

1. Wide supply voltage range:
 - a. $V_{CC(A)}$: 1.1 V to 3.6 V; $V_{CC(B)}$: 1.1 V to 3.6 V.
2. High noise immunity
3. Complies with JEDEC standards:
 - a. JESD8-7 (1.2 V to 1.95 V)
 - b. JESD8-5 (1.8 V to 2.7 V)
 - c. JESD8-B (2.7 V to 3.6 V)
4. ESD protection:
 - a. HBM JESD22-A114E Class 2A exceeds 2000 V
 - b. MM JESD22-A115-A exceeds 200 V
 - c. CDM JESD22-C101C exceeds 1000 V
5. Low static power consumption; $I_{CC} = 0.9 \mu\text{A}$ (maximum)
6. Latch-up performance exceeds 100 mA per JESD 78 Class II
7. Inputs accept voltages up to 3.6 V
8. Low noise overshoot and undershoot $< 10\%$ of V_{CC}
9. I_{OFF} circuitry provides partial Power-down mode operation

- 10. Multiple package options
- 11. Specified from -40 °C to +85 °C

3 Ordering information

Table 1. Ordering information

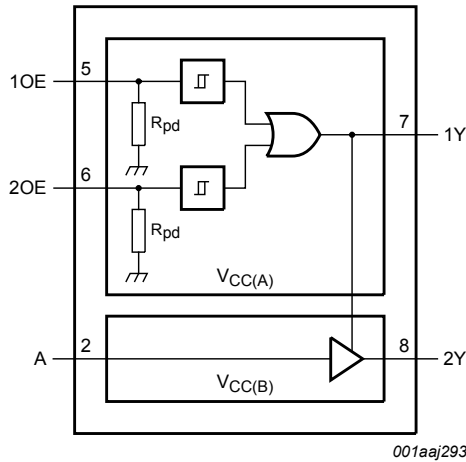
Type number	Package			Version
	Temperature range	Name	Description	
74AUP1T1326GT	-40 °C to +85 °C	XSON8	plastic extremely thin small outline package; no leads; 8 terminals; body 1 × 1.95 × 0.5 mm	SOT833-1

4 Marking

Table 2. Marking

Type number	Marking code
74AUP1T1326GT	p31

5 Functional diagram



001aaj293

R_{pd} = Internal pull-down resistor.

Figure 1. Logic symbol

6 Pinning information

6.1 Pinning

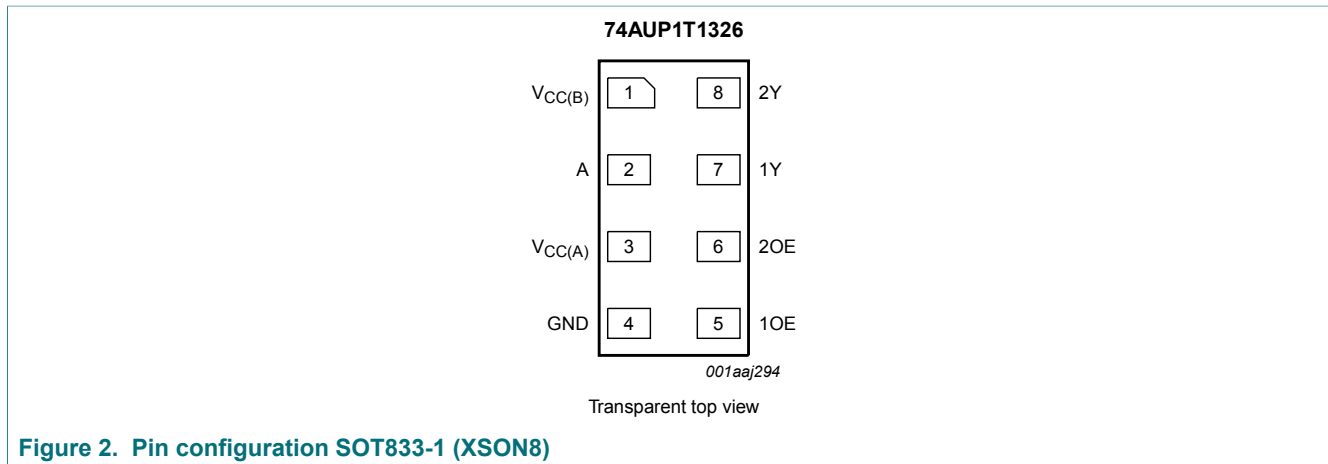


Figure 2. Pin configuration SOT833-1 (XSON8)

6.2 Pin description

Table 3. Pin description

Symbol	Pin	Description
V _{CC(B)}	1	supply voltage B
A	2	data input
V _{CC(A)}	3	supply voltage A
GND	4	ground (0 V)
1OE	5	output enable input (Schmitt trigger input)
2OE	6	output enable input (Schmitt trigger input)
1Y	7	data output
2Y	8	data output

7 Functional description

Table 4. Function table

H = HIGH voltage level; L = LOW voltage level; X = don't care; Z = high-impedance OFF-state.

Input			Output	
1OE	2OE	A	1Y	2Y
L	L	X	L	Z
X	H	L	H	L
X	H	H	H	H
H	X	L	H	L
H	X	H	H	H

8 Limiting values

Table 5. Limiting values

In accordance with the Absolute Maximum Rating System (IEC 60134). Voltages are referenced to GND (ground = 0 V).

Symbol	Parameter	Conditions	Min	Max	Unit
$V_{CC(A)}$	supply voltage A		-0.5	+4.6	V
$V_{CC(B)}$	supply voltage B		-0.5	+4.6	V
I_{IK}	input clamping current	$V_I < 0$ V	-50	-	mA
V_I	input voltage		-0.5	+4.6	V
I_{OK}	output clamping current	$V_O > V_{CCO}$ or $V_O < 0$ V	-	-50	mA
V_O	output voltage	Active mode and Power-down mode	-0.5	+4.6	V
I_O	output current	$V_O = 0$ V to V_{CCO}	-	±20	mA
I_{CC}	supply current		-	50	mA
I_{GND}	ground current		-50	-	mA
T_{stg}	storage temperature		-65	+150	°C
P_{tot}	total power dissipation	$T_{amb} = -40$ °C to +85 °C	-	250	mW

[1] The minimum input and output voltage ratings may be exceeded if the input and output current ratings are observed.

[2] V_{CCO} is the supply voltage associated with an output pin.

[3] For XSON8 package: above 45 °C the value of P_{tot} derates linearly with 2.4 mW/K.

9 Recommended operating conditions

Table 6. Recommended operating conditions

Symbol	Parameter	Conditions	Min	Max	Unit
$V_{CC(A)}$	supply voltage A		1.1	3.6	V
$V_{CC(B)}$	supply voltage B		1.1	3.6	V
V_I	input voltage		0	3.6	V
V_O	output voltage		0	V_{CCO}	V
T_{amb}	ambient temperature		-40	+85	°C
$\Delta t/\Delta V$	input transition rise and fall rate	input A; $V_{CCI} = 1.1$ V to 3.6 V	-	200	ns/V
		input nOE; $V_{CCI} = 1.1$ V to 3.6 V	-	30	ms/V

[1] V_{CCO} is the supply voltage associated with an output pin.

[2] V_{CCI} is the supply voltage associated with an input pin.

10 Static characteristics

Table 7. Static characteristics

At recommended operating conditions; voltages are referenced to GND (ground = 0 V).

Symbol	Parameter	Conditions	T _{amb} = 25 °C			T _{amb} = -40 °C to +85 °C		Unit
			Min	Typ	Max	Min	Max	
V _{IH}	HIGH-level input voltage	input A; ^{[1] [2]}						
		V _{CCI} = 1.1 V to 1.95 V	0.65V _{CCI}	-	-	0.65V _{CCI}	-	V
		V _{CCI} = 2.3 V to 2.7 V	1.6	-	-	1.6	-	V
		V _{CCI} = 3.0 V to 3.6 V	2.0	-	-	2.0	-	V
V _{IL}	LOW-level input voltage	input A; ^{[1] [2]}						
		V _{CCI} = 1.1 V to 1.95 V	-	-	0.35V _{CCI}	-	0.35V _{CCI}	V
		V _{CCI} = 2.3 V to 2.7 V	-	-	0.7	-	0.7	V
		V _{CCI} = 3.0 V to 3.6 V	-	-	0.9	-	0.9	V
V _{OH}	HIGH-level output voltage	V _I = V _{IL} or V _I or V _I = V _{T+} or V _{T-} . ^[3]						
		I _O = -20 μA; V _{CCO} = 1.1 V to 3.6 V	V _{CCO} - 0.1	-	-	V _{CCO} - 0.1	-	V
		I _O = -1.1 mA; V _{CCO} = 1.1 V	0.825	-	-	0.825	-	V
		I _O = -1.7 mA; V _{CCO} = 1.4 V	1.05	-	-	1.05	-	V
		I _O = -3 mA; V _{CCO} = 1.65 V	1.2	-	-	1.2	-	V
		I _O = -2.3 mA; V _{CCO} = 2.3 V	1.97	-	-	1.97	-	V
		I _O = -4.0 mA; V _{CCO} = 2.3 V	2.0	-	-	2.0	-	V
		I _O = -2.7 mA; V _{CCO} = 3.0 V	2.67	-	-	2.67	-	V
V _{OL}	LOW-level output voltage	V _I = V _{IL} or V _I or V _I = V _{T+} or V _{T-} . ^[3]						
		I _O = 20 μA; V _{CCO} = 1.1 V to 3.6 V	-	-	0.10	-	0.10	V
		I _O = 1.1 mA; V _{CCO} = 1.1 V	-	-	0.275	-	0.275	V
		I _O = 1.7 mA; V _{CCO} = 1.4 V	-	-	0.35	-	0.35	V
		I _O = 3.0 mA; V _{CCO} = 1.65 V	-	-	0.45	-	0.45	V
		I _O = 2.3 mA; V _{CCO} = 2.3 V	-	-	0.33	-	0.33	V
		I _O = 4.0 mA; V _{CCO} = 2.3 V	-	-	0.40	-	0.40	V
		I _O = 2.7 mA; V _{CCO} = 3.0 V	-	-	0.33	-	0.33	V
I _I	input leakage current	input A; V _I = 0 V to 3.6 V; V _{CCI} = 1.1 V to 3.6 V ^[1]	-	-	±0.1	-	±0.5	μA
I _{OZ}	OFF-state output current	output 2Y; V _I = V _{IH} or V _{IL} ; V _O = 0 V to 3.6 V; V _{CC(A)} = 1.1 V to 3.6 V; V _{CC(B)} = 1.1 V to 3.6 V	-	-	±0.1	-	±0.5	μA

Symbol	Parameter	Conditions	T _{amb} = 25 °C			T _{amb} = -40 °C to +85 °C		Unit	
			Min	Typ	Max	Min	Max		
I _{OFF}	power-off leakage current	1Y; V _{CC(A)} = 0 V; V _O = 0 V to 3.6 V; V _{CC(B)} = 1.1 V to 3.6 V	-	-	±0.2	-	±0.5	µA	
		A, 2Y; V _{CC(B)} = 0 V; V _I or V _O = 0 V to 3.6 V; V _{CC(A)} = 1.1 V to 3.6 V	-	-	±0.2	-	±0.5	µA	
ΔI _{OFF}	additional power-off leakage current	1Y; V _{CC(A)} = 0 V to 0.2 V; V _O = 0 V to 3.6 V; V _{CC(B)} = 1.1 V to 3.6 V	-	-	±0.2	-	±0.6	µA	
		A, 2Y; V _{CC(B)} = 0 V to 0.2 V; V _I or V _O = 0 V to 3.6 V; V _{CC(A)} = 1.1 V to 3.6 V	-	-	±0.2	-	±0.6	µA	
I _{CC(A)}	supply current A	V _I = 0 V or V _{CC(A)} ; I _O = 0 A; V _{CC(A)} = 1.1 V to 3.6 V; V _{CC(B)} = 0 V to 3.6 V	-	-	0.5	-	0.9	µA	
I _{CC(B)}	supply current B	V _I = 0 V or V _{CC(B)} ; I _O = 0 A							
		V _{CC(A)} = V _{CC(B)} = 1.1 V to 3.6 V	-	-	0.5	-	0.9	µA	
		V _{CC(A)} = 1.71 V; V _{CC(B)} = 2.6 V	-	-	350	-	500	µA	
ΔI _{CC}	additional supply current	nOE; V _{CC(A)} = V _{CC(B)} = 3.3 V; V _I = V _{CC(A)} - 0.6 V	-	-	40	-	50	µA	
		A; V _{CC(A)} = V _{CC(B)} = 3.3 V; V _I = V _{CC(B)} - 0.6 V	-	-	40	-	50	µA	
		A; V _I = GND to 3.6 V; nOE = GND; V _{CC(A)} = V _{CC(B)} = 1.1 V to 3.6 V	[4]	-	-	-	-	1	µA
R _{pd}	pull-down resistance		151	281	428	150	435	kΩ	
C _I	input capacitance	input A; V _I = 0 V or V _{CCI} ; V _{CCI} = 1.1 V to 3.6 V	[1]	-	0.9	-	-	-	pF
		input nOE; V _I = 0 V or V _{CCI} ; V _{CCI} = 1.1 V to 3.6 V	[1]	-	0.8	-	-	-	pF
C _O	output capacitance	1Y; V _O = GND; V _{CCO} = 0 V	[3]	-	1.7	-	-	-	pF
		2Y enabled; V _O = GND; V _{CCO} = 0 V	[3]	-	1.7	-	-	-	pF
		2Y disabled; V _{CCO} = 0 V to 3.6 V; V _O = GND or V _{CCO}	[3]	-	1.5	-	-	-	pF

[1] V_{CCI} is the supply voltage associated with the input pin.

[2] For V_{CCI} values not specified in the data sheet: minimum V_{IH} = 0.7 × V_{CCI} and maximum V_{IL} = 0.3 × V_{CCI}.

[3] V_{CCO} is the supply voltage associated with the output pin.

[4] To show I_{CC} remains very low when the input-disable feature is enabled.

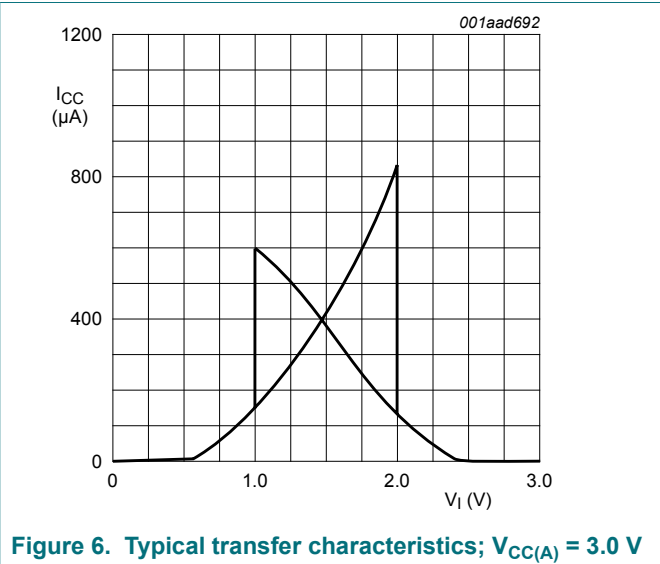
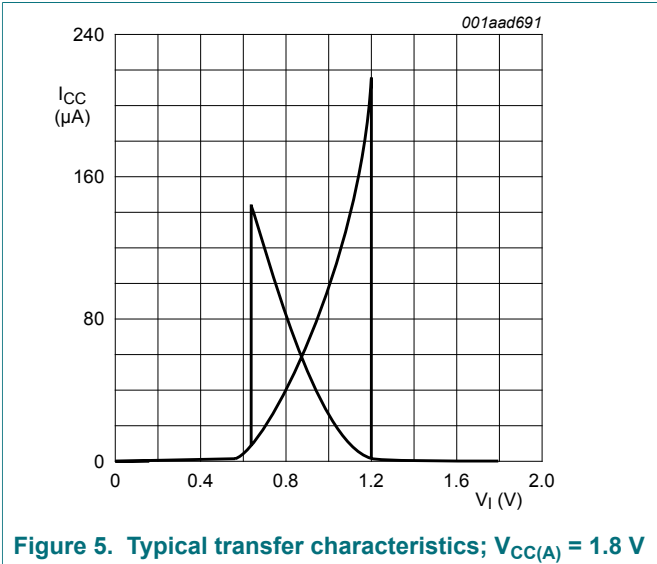
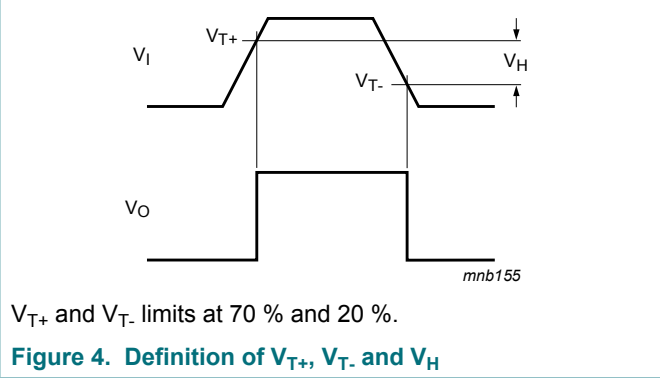
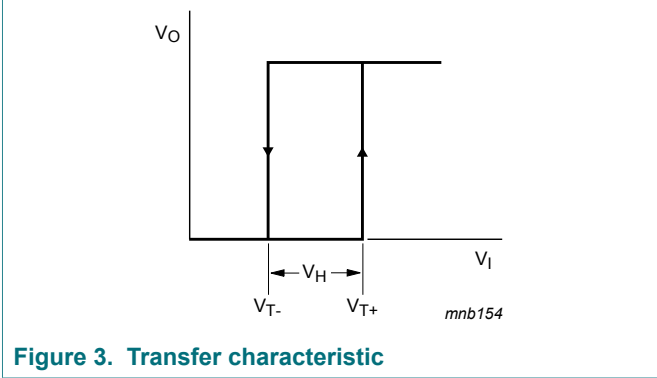
11 Transfer characteristics

Table 8. Transfer characteristics

Voltages are referenced to GND (ground = 0 V; for test circuit see [Figure 9](#)).

Symbol	Parameter	Conditions	T _{amb} = 25 °C			T _{amb} = -40 °C to +85 °C		Unit
			Min	Typ	Max	Min	Max	
V _{T+}	positive-going threshold voltage	nOE inputs; see Figure 3 and Figure 4						
		V _{CC(A)} = 1.1 V	0.53	-	0.90	0.53	0.90	V
		V _{CC(A)} = 1.4 V	0.74	-	1.11	0.74	1.11	V
		V _{CC(A)} = 1.65 V	0.91	-	1.29	0.91	1.29	V
		V _{CC(A)} = 2.3 V	1.37	-	1.77	1.37	1.77	V
		V _{CC(A)} = 3.0 V	1.88	-	2.29	1.88	2.29	V
V _{T-}	negative-going threshold voltage	nOE inputs; see Figure 3 and Figure 4						
		V _{CC(A)} = 1.1 V	0.26	-	0.65	0.26	0.65	V
		V _{CC(A)} = 1.4 V	0.39	-	0.75	0.39	0.75	V
		V _{CC(A)} = 1.65 V	0.47	-	0.84	0.47	0.84	V
		V _{CC(A)} = 2.3 V	0.69	-	1.04	0.69	1.04	V
		V _{CC(A)} = 3.0 V	0.88	-	1.24	0.88	1.24	V
V _H	hysteresis voltage	nOE inputs; (V _{T+} - V _{T-}); see Figure 3 , Figure 4 , Figure 5 and Figure 6						
		V _{CC(A)} = 1.1 V	0.08	-	0.46	0.08	0.46	V
		V _{CC(A)} = 1.4 V	0.18	-	0.56	0.18	0.56	V
		V _{CC(A)} = 1.65 V	0.27	-	0.66	0.27	0.66	V
		V _{CC(A)} = 2.3 V	0.53	-	0.92	0.53	0.92	V
		V _{CC(A)} = 3.0 V	0.79	-	1.31	0.79	1.31	V

11.1 Waveforms transfer characteristics



12 Dynamic characteristics

Table 9. Dynamic characteristics

 Voltages are referenced to GND (ground = 0 V); for test circuit see [Figure 9](#).

Symbol	Parameter	Conditions	T _{amb} = 25 °C			T _{amb} = -40 °C to +85 °C		Unit
			Min	Typ ^[1]	Max	Min	Max	
C_L = 5 pF								
t _{pd}	propagation delay	A to 2Y; see Figure 7 ^[2]						
		V _{CC(B)} = 1.1 V to 1.3 V	3.0	5.4	9.5	2.7	9.7	ns
		V _{CC(B)} = 1.4 V to 1.6 V	2.4	3.8	5.7	2.1	6.1	ns
		V _{CC(B)} = 1.65 V to 1.95 V	1.9	3.1	4.5	1.7	5.0	ns
		V _{CC(B)} = 2.3 V to 2.7 V	1.5	2.3	3.4	1.3	3.8	ns
		V _{CC(B)} = 3.0 V to 3.6 V	1.2	2.1	3.0	1.0	3.3	ns
		nOE to 1Y; see Figure 7						
		V _{CC(A)} = 1.1 V to 1.3 V	3.4	5.6	9.3	3.2	9.5	ns
		V _{CC(A)} = 1.4 V to 1.6 V	2.8	4.2	5.9	2.6	6.3	ns
		V _{CC(A)} = 1.65 V to 1.95 V	2.4	3.5	4.9	2.2	5.3	ns
		V _{CC(A)} = 2.3 V to 2.7 V	2.2	2.9	3.9	2.0	4.1	ns
		V _{CC(A)} = 3.0 V to 3.6 V	1.9	2.6	3.4	1.8	3.7	ns
C_L = 10 pF								
t _{pd}	propagation delay	A to 2Y; see Figure 7 ^[2]						
		V _{CC(B)} = 1.1 V to 1.3 V	3.4	6.2	11.0	3.0	11.4	ns
		V _{CC(B)} = 1.4 V to 1.6 V	2.7	4.4	6.6	2.4	7.1	ns
		V _{CC(B)} = 1.65 V to 1.95 V	2.3	3.6	5.3	2.0	5.8	ns
		V _{CC(B)} = 2.3 V to 2.7 V	1.8	2.8	4.1	1.5	4.5	ns
		V _{CC(B)} = 3.0 V to 3.6 V	1.6	2.6	3.8	1.3	4.2	ns
		nOE to 1Y; see Figure 7						
		V _{CC(A)} = 1.1 V to 1.3 V	3.7	6.4	10.8	3.4	11.1	ns
		V _{CC(A)} = 1.4 V to 1.6 V	3.1	4.7	6.8	2.8	7.2	ns
		V _{CC(A)} = 1.65 V to 1.95 V	2.9	4.0	5.6	2.5	6.1	ns
		V _{CC(A)} = 2.3 V to 2.7 V	2.5	3.4	4.6	2.2	4.9	ns
		V _{CC(A)} = 3.0 V to 3.6 V	2.3	3.1	4.1	2.1	4.5	ns

Symbol	Parameter	Conditions	T _{amb} = 25 °C			T _{amb} = -40 °C to +85 °C		Unit
			Min	Typ ^[1]	Max	Min	Max	
C_L = 15 pF								
t _{pd}	propagation delay	A to 2Y; see Figure 7 ^[2]						
		V _{CC(B)} = 1.1 V to 1.3 V	3.8	6.9	12.5	3.4	12.9	ns
		V _{CC(B)} = 1.4 V to 1.6 V	3.2	4.9	7.5	2.8	8.1	ns
		V _{CC(B)} = 1.65 V to 1.95 V	2.7	4.0	6.0	2.3	6.5	ns
		V _{CC(B)} = 2.3 V to 2.7 V	2.2	3.2	4.8	1.8	5.3	ns
		V _{CC(B)} = 3.0 V to 3.6 V	1.8	2.9	4.4	1.6	4.8	ns
		nOE to 1Y; see Figure 7						
		V _{CC(A)} = 1.1 V to 1.3 V	4.2	7.2	12.4	3.8	12.7	ns
		V _{CC(A)} = 1.4 V to 1.6 V	3.6	5.2	7.6	3.3	8.2	ns
		V _{CC(A)} = 1.65 V to 1.95 V	3.1	4.5	6.3	2.7	6.9	ns
		V _{CC(A)} = 2.3 V to 2.7 V	2.8	3.8	5.3	2.5	5.6	ns
		V _{CC(A)} = 3.0 V to 3.6 V	2.5	3.5	4.8	2.3	5.2	ns
C_L = 30 pF								
t _{pd}	propagation delay	A to 2Y; see Figure 7 ^[2]						
		V _{CC(B)} = 1.1 V to 1.3 V	4.8	9.0	16.6	4.2	17.3	ns
		V _{CC(B)} = 1.4 V to 1.6 V	4.0	6.3	9.8	3.4	10.6	ns
		V _{CC(B)} = 1.65 V to 1.95 V	3.5	5.1	7.8	3.0	8.6	ns
		V _{CC(B)} = 2.3 V to 2.7 V	2.7	4.2	6.2	2.4	6.8	ns
		V _{CC(B)} = 3.0 V to 3.6 V	2.5	3.9	5.9	2.3	6.4	ns
		nOE to 1Y; see Figure 7						
		V _{CC(A)} = 1.1 V to 1.3 V	5.1	9.2	16.4	4.6	17.1	ns
		V _{CC(A)} = 1.4 V to 1.6 V	4.3	6.6	9.9	3.8	10.8	ns
		V _{CC(A)} = 1.65 V to 1.95 V	4.0	5.6	8.1	3.5	8.9	ns
		V _{CC(A)} = 2.3 V to 2.7 V	3.4	4.7	6.7	3.0	7.2	ns
		V _{CC(A)} = 3.0 V to 3.6 V	3.3	4.4	6.2	3.0	6.7	ns
C_L = 5 pF; V_{CC(A)} = 1.1 V to 1.3 V								
t _{en}	enable time	nOE to 2Y; see Figure 8 ^[3]						
		V _{CC(B)} = 1.1 V to 1.3 V	3.4	8.7	20.0	3.2	20.3	ns
		V _{CC(B)} = 1.4 V to 1.6 V	2.8	7.0	15.6	2.5	15.8	ns
t _{dis}	disable time	nOE to 2Y; see Figure 8 ^[4]						
		V _{CC(B)} = 1.1 V to 1.3 V	3.4	7.1	15.2	3.2	15.5	ns
		V _{CC(B)} = 1.4 V to 1.6 V	2.8	6.1	13.5	2.5	13.9	ns

Symbol	Parameter	Conditions	T _{amb} = 25 °C			T _{amb} = -40 °C to +85 °C		Unit
			Min	Typ ^[1]	Max	Min	Max	
C_L = 5 pF; V_{CC(A)} = 1.4 V to 1.6 V								
t _{en}	enable time	nOE to 2Y; see Figure 8 ^[3]						
		V _{CC(B)} = 1.1 V to 1.3 V	3.4	7.8	16.6	3.1	17.1	ns
		V _{CC(B)} = 1.4 V to 1.6 V	2.8	6.1	12.2	2.5	12.6	ns
		V _{CC(B)} = 1.65 V to 1.95 V	2.4	5.4	10.7	2.1	11.1	ns
t _{dis}	disable time	nOE to 2Y; see Figure 8 ^[4]						
		V _{CC(B)} = 1.1 V to 1.3 V	3.4	6.3	11.8	3.1	12.3	ns
		V _{CC(B)} = 1.4 V to 1.6 V	2.8	5.3	10.1	2.5	10.7	ns
		V _{CC(B)} = 1.65 V to 1.95 V	2.4	5.4	9.9	2.1	10.5	ns
C_L = 5 pF; V_{CC(A)} = 1.65 V to 1.95 V								
t _{en}	enable time	nOE to 2Y; see Figure 8 ^[3]						
		V _{CC(B)} = 1.1 V to 1.3 V	3.4	7.4	15.6	3.1	16.0	ns
		V _{CC(B)} = 1.4 V to 1.6 V	2.8	5.6	11.2	2.5	11.5	ns
		V _{CC(B)} = 1.65 V to 1.95 V	2.4	4.9	9.7	2.1	10.1	ns
		V _{CC(B)} = 2.3 V to 2.7 V	2.2	4.4	8.2	1.9	8.8	ns
t _{dis}	disable time	nOE to 2Y; see Figure 8 ^[4]						
		V _{CC(B)} = 1.1 V to 1.3 V	3.4	6.0	10.8	3.1	11.2	ns
		V _{CC(B)} = 1.4 V to 1.6 V	2.8	5.0	9.1	2.5	9.6	ns
		V _{CC(B)} = 1.65 V to 1.95 V	2.4	5.1	8.9	2.1	9.4	ns
		V _{CC(B)} = 2.3 V to 2.7 V	2.2	4.3	7.8	1.9	8.4	ns
C_L = 5 pF; V_{CC(A)} = 2.3 V to 2.7 V								
t _{en}	enable time	nOE to 2Y; see Figure 8 ^[3]						
		V _{CC(B)} = 1.1 V to 1.3 V	3.4	6.8	14.6	3.1	14.9	ns
		V _{CC(B)} = 1.4 V to 1.6 V	2.8	5.0	10.1	2.5	10.4	ns
		V _{CC(B)} = 1.65 V to 1.95 V	2.4	4.3	8.7	2.1	9.0	ns
		V _{CC(B)} = 2.3 V to 2.7 V	2.2	3.7	7.2	1.9	7.7	ns
		V _{CC(B)} = 3.0 V to 3.6 V	1.9	3.6	6.8	1.6	7.3	ns
t _{dis}	disable time	nOE to 2Y; see Figure 8 ^[4]						
		V _{CC(B)} = 1.1 V to 1.3 V	3.4	5.5	9.8	3.1	10.1	ns
		V _{CC(B)} = 1.4 V to 1.6 V	2.8	4.5	8.1	2.5	8.5	ns
		V _{CC(B)} = 1.65 V to 1.95 V	2.4	4.6	7.9	2.1	8.3	ns
		V _{CC(B)} = 2.3 V to 2.7 V	2.2	3.9	6.8	1.9	7.3	ns
		V _{CC(B)} = 3.0 V to 3.6 V	1.9	4.4	7.3	1.6	7.7	ns

Symbol	Parameter	Conditions	T _{amb} = 25 °C			T _{amb} = -40 °C to +85 °C		Unit
			Min	Typ ^[1]	Max	Min	Max	
C_L = 5 pF; V_{CC(A)} = 3.0 V to 3.6 V								
t _{en}	enable time	nOE to 2Y; see Figure 8 ^[3]						
		V _{CC(B)} = 1.1 V to 1.3 V	3.4	6.5	14.2	3.1	14.4	ns
		V _{CC(B)} = 1.4 V to 1.6 V	2.8	4.8	9.7	2.5	9.9	ns
		V _{CC(B)} = 1.65 V to 1.95 V	2.4	4.1	8.2	2.1	8.5	ns
		V _{CC(B)} = 2.3 V to 2.7 V	2.2	3.4	6.7	1.9	7.2	ns
		V _{CC(B)} = 3.0 V to 3.6 V	1.9	3.2	6.3	1.6	6.8	ns
t _{dis}	disable time	nOE to 2Y; see Figure 8 ^[4]						
		V _{CC(B)} = 1.1 V to 1.3 V	3.4	5.3	9.3	3.1	9.7	ns
		V _{CC(B)} = 1.4 V to 1.6 V	2.8	4.3	7.7	2.5	8.0	ns
		V _{CC(B)} = 1.65 V to 1.95 V	2.4	4.4	7.4	2.1	7.9	ns
		V _{CC(B)} = 2.3 V to 2.7 V	2.2	3.7	6.4	1.9	6.8	ns
		V _{CC(B)} = 3.0 V to 3.6 V	1.9	4.2	6.9	1.6	7.2	ns
C_L = 10 pF; V_{CC(A)} = 1.1 V to 1.3 V								
t _{en}	enable time	nOE to 2Y; see Figure 8 ^[3]						
		V _{CC(B)} = 1.1 V to 1.3 V	3.7	9.9	22.9	3.3	23.1	ns
		V _{CC(B)} = 1.4 V to 1.6 V	3.1	8.0	17.8	2.8	18.1	ns
t _{dis}	disable time	nOE to 2Y; see Figure 8 ^[4]						
		V _{CC(B)} = 1.1 V to 1.3 V	3.7	8.5	18.0	3.3	18.3	ns
		V _{CC(B)} = 1.4 V to 1.6 V	3.1	7.3	16.0	2.8	16.4	ns
C_L = 10 pF; V_{CC(A)} = 1.4 V to 1.6 V								
t _{en}	enable time	nOE to 2Y; see Figure 8 ^[3]						
		V _{CC(B)} = 1.1 V to 1.3 V	3.7	8.8	18.8	3.3	19.3	ns
		V _{CC(B)} = 1.4 V to 1.6 V	3.1	6.9	13.8	2.8	14.2	ns
		V _{CC(B)} = 1.65 V to 1.95 V	2.9	6.1	12.2	2.5	12.9	ns
t _{dis}	disable time	nOE to 2Y; see Figure 8 ^[4]						
		V _{CC(B)} = 1.1 V to 1.3 V	3.7	7.6	14.0	3.3	14.5	ns
		V _{CC(B)} = 1.4 V to 1.6 V	3.1	6.4	11.9	2.8	12.5	ns
		V _{CC(B)} = 1.65 V to 1.95 V	2.9	6.7	12.0	2.5	12.6	ns

Symbol	Parameter	Conditions	T _{amb} = 25 °C			T _{amb} = -40 °C to +85 °C		Unit
			Min	Typ ^[1]	Max	Min	Max	
C_L = 10 pF; V_{CC(A)} = 1.65 V to 1.95 V								
t _{en}	enable time	nOE to 2Y; see Figure 8 ^[3]						
		V _{CC(B)} = 1.1 V to 1.3 V	3.7	8.3	17.6	3.3	18.1	ns
		V _{CC(B)} = 1.4 V to 1.6 V	3.1	6.4	12.6	2.8	13.1	ns
		V _{CC(B)} = 1.65 V to 1.95 V	2.9	5.6	11.0	2.5	11.7	ns
		V _{CC(B)} = 2.3 V to 2.7 V	2.5	5.1	9.7	2.2	10.5	ns
t _{dis}	disable time	nOE to 2Y; see Figure 8 ^[4]						
		V _{CC(B)} = 1.1 V to 1.3 V	3.7	7.2	12.8	3.3	13.4	ns
		V _{CC(B)} = 1.4 V to 1.6 V	3.1	6.0	10.8	2.8	11.4	ns
		V _{CC(B)} = 1.65 V to 1.95 V	2.9	6.3	10.8	2.5	11.5	ns
		V _{CC(B)} = 2.3 V to 2.7 V	2.5	5.2	9.5	2.2	10.1	ns
C_L = 10 pF; V_{CC(A)} = 2.3 V to 2.7 V								
t _{en}	enable time	nOE to 2Y; see Figure 8 ^[3]						
		V _{CC(B)} = 1.1 V to 1.3 V	3.7	7.7	16.6	3.3	16.9	ns
		V _{CC(B)} = 1.4 V to 1.6 V	3.1	5.8	11.6	2.8	11.9	ns
		V _{CC(B)} = 1.65 V to 1.95 V	2.9	5.0	10.0	2.5	10.5	ns
		V _{CC(B)} = 2.3 V to 2.7 V	2.5	4.4	8.7	2.2	9.3	ns
		V _{CC(B)} = 3.0 V to 3.6 V	2.3	4.3	8.3	2.1	8.8	ns
t _{dis}	disable time	nOE to 2Y; see Figure 8 ^[4]						
		V _{CC(B)} = 1.1 V to 1.3 V	3.7	6.8	11.8	3.3	12.2	ns
		V _{CC(B)} = 1.4 V to 1.6 V	3.1	5.6	9.7	2.8	10.2	ns
		V _{CC(B)} = 1.65 V to 1.95 V	2.9	5.9	9.8	2.5	10.3	ns
		V _{CC(B)} = 2.3 V to 2.7 V	2.5	4.8	8.4	2.2	8.9	ns
		V _{CC(B)} = 3.0 V to 3.6 V	2.3	5.8	9.4	2.1	9.8	ns

Symbol	Parameter	Conditions	T _{amb} = 25 °C			T _{amb} = -40 °C to +85 °C		Unit
			Min	Typ ^[1]	Max	Min	Max	
C_L = 10 pF; V_{CC(A)} = 3.0 V to 3.6 V								
t _{en}	enable time	nOE to 2Y; see Figure 8 ^[3]						
		V _{CC(B)} = 1.1 V to 1.3 V	3.7	7.4	16.1	3.3	16.5	ns
		V _{CC(B)} = 1.4 V to 1.6 V	3.1	5.5	11.1	2.8	11.5	ns
		V _{CC(B)} = 1.65 V to 1.95 V	2.9	4.7	9.5	2.5	10.1	ns
		V _{CC(B)} = 2.3 V to 2.7 V	2.5	4.1	8.3	2.2	8.8	ns
		V _{CC(B)} = 3.0 V to 3.6 V	2.3	3.9	7.8	2.1	8.3	ns
t _{dis}	disable time	nOE to 2Y; see Figure 8 ^[4]						
		V _{CC(B)} = 1.1 V to 1.3 V	3.7	6.6	11.3	3.3	11.7	ns
		V _{CC(B)} = 1.4 V to 1.6 V	3.1	5.4	9.3	2.8	9.7	ns
		V _{CC(B)} = 1.65 V to 1.95 V	2.9	5.7	9.4	2.5	9.8	ns
		V _{CC(B)} = 2.3 V to 2.7 V	2.5	4.6	8.0	2.2	8.5	ns
		V _{CC(B)} = 3.0 V to 3.6 V	2.3	5.6	9.0	2.1	9.4	ns
C_L = 15 pF; V_{CC(A)} = 1.1 V to 1.3 V								
t _{en}	enable time	nOE to 2Y; see Figure 8 ^[3]						
		V _{CC(B)} = 1.1 V to 1.3 V	4.2	10.9	25.5	3.8	25.9	ns
		V _{CC(B)} = 1.4 V to 1.6 V	3.6	8.9	20.1	3.2	20.6	ns
t _{dis}	disable time	nOE to 2Y; see Figure 8 ^[4]						
		V _{CC(B)} = 1.1 V to 1.3 V	4.2	9.9	20.8	3.8	21.1	ns
		V _{CC(B)} = 1.4 V to 1.6 V	3.6	8.4	18.4	3.2	18.9	ns
C_L = 15 pF; V_{CC(A)} = 1.4 V to 1.6 V								
t _{en}	enable time	nOE to 2Y; see Figure 8 ^[3]						
		V _{CC(B)} = 1.1 V to 1.3 V	4.2	9.7	20.8	3.8	21.4	ns
		V _{CC(B)} = 1.4 V to 1.6 V	3.6	7.6	15.3	3.2	16.1	ns
		V _{CC(B)} = 1.65 V to 1.95 V	3.1	6.8	13.6	2.7	14.5	ns
t _{dis}	disable time	nOE to 2Y; see Figure 8 ^[4]						
		V _{CC(B)} = 1.1 V to 1.3 V	4.2	8.9	16.0	3.8	16.6	ns
		V _{CC(B)} = 1.4 V to 1.6 V	3.6	7.4	13.7	3.2	14.4	ns
		V _{CC(B)} = 1.65 V to 1.95 V	3.1	8.0	14.1	2.7	14.8	ns

Symbol	Parameter	Conditions	T _{amb} = 25 °C			T _{amb} = -40 °C to +85 °C		Unit
			Min	Typ ^[1]	Max	Min	Max	
C_L = 15 pF; V_{CC(A)} = 1.65 V to 1.95 V								
t _{en}	enable time	nOE to 2Y; see Figure 8 ^[3]						
		V _{CC(B)} = 1.1 V to 1.3 V	4.2	9.1	19.5	3.8	20.1	ns
		V _{CC(B)} = 1.4 V to 1.6 V	3.6	7.0	14.0	3.1	14.7	ns
		V _{CC(B)} = 1.65 V to 1.95 V	3.1	6.2	12.2	2.7	13.2	ns
		V _{CC(B)} = 2.3 V to 2.7 V	2.8	5.6	11.0	2.4	11.8	ns
t _{dis}	disable time	nOE to 2Y; see Figure 8 ^[4]						
		V _{CC(B)} = 1.1 V to 1.3 V	4.2	8.5	14.7	3.8	15.3	ns
		V _{CC(B)} = 1.4 V to 1.6 V	3.6	7.0	12.4	3.1	13.1	ns
		V _{CC(B)} = 1.65 V to 1.95 V	3.1	7.5	12.7	2.7	13.5	ns
		V _{CC(B)} = 2.3 V to 2.7 V	2.8	6.1	11.0	2.4	11.8	ns
C_L = 15 pF; V_{CC(A)} = 2.3 V to 2.7 V								
t _{en}	enable time	nOE to 2Y; see Figure 8 ^[3]						
		V _{CC(B)} = 1.1 V to 1.3 V	4.2	8.5	18.4	3.8	18.8	ns
		V _{CC(B)} = 1.4 V to 1.6 V	3.6	6.4	13.0	3.2	13.5	ns
		V _{CC(B)} = 1.65 V to 1.95 V	3.1	5.6	11.2	2.7	11.9	ns
		V _{CC(B)} = 2.3 V to 2.7 V	2.8	4.9	10.0	2.5	10.6	ns
		V _{CC(B)} = 3.0 V to 3.6 V	2.5	4.8	9.6	2.3	10.1	ns
t _{dis}	disable time	nOE to 2Y; see Figure 8 ^[4]						
		V _{CC(B)} = 1.1 V to 1.3 V	4.2	8.0	13.6	3.8	14.0	ns
		V _{CC(B)} = 1.4 V to 1.6 V	3.6	6.6	11.3	3.2	11.8	ns
		V _{CC(B)} = 1.65 V to 1.95 V	3.1	7.1	11.7	2.7	12.3	ns
		V _{CC(B)} = 2.3 V to 2.7 V	2.8	5.7	10.0	2.5	10.5	ns
		V _{CC(B)} = 3.0 V to 3.6 V	2.5	7.1	11.5	2.3	11.9	ns

Symbol	Parameter	Conditions	T _{amb} = 25 °C			T _{amb} = -40 °C to +85 °C		Unit
			Min	Typ ^[1]	Max	Min	Max	
C_L = 15 pF; V_{CC(A)} = 3.0 V to 3.6 V								
t _{en}	enable time	nOE to 2Y; see Figure 8 ^[3]						
		V _{CC(B)} = 1.1 V to 1.3 V	4.2	8.2	18.0	3.8	18.4	ns
		V _{CC(B)} = 1.4 V to 1.6 V	3.6	6.1	12.5	3.2	13.0	ns
		V _{CC(B)} = 1.65 V to 1.95 V	3.1	5.2	10.7	2.7	11.5	ns
		V _{CC(B)} = 2.3 V to 2.7 V	2.8	4.6	9.5	2.5	10.1	ns
		V _{CC(B)} = 3.0 V to 3.6 V	2.5	4.4	9.1	2.3	9.6	ns
t _{dis}	disable time	nOE to 2Y; see Figure 8 ^[4]						
		V _{CC(B)} = 1.1 V to 1.3 V	4.2	7.8	13.2	3.8	13.6	ns
		V _{CC(B)} = 1.4 V to 1.6 V	3.6	6.3	10.9	3.2	11.4	ns
		V _{CC(B)} = 1.65 V to 1.95 V	3.1	6.9	11.3	2.7	11.8	ns
		V _{CC(B)} = 2.3 V to 2.7 V	2.8	5.5	9.5	2.5	10.0	ns
		V _{CC(B)} = 3.0 V to 3.6 V	2.5	6.8	11.0	2.3	11.5	ns
C_L = 30 pF; V_{CC(A)} = 1.1 V to 1.3 V								
t _{en}	enable time	nOE to 2Y; see Figure 8 ^[3]						
		V _{CC(B)} = 1.1 V to 1.3 V	5.1	13.8	33.1	4.6	33.8	ns
		V _{CC(B)} = 1.4 V to 1.6 V	4.3	11.2	26.1	3.8	27.7	ns
t _{dis}	disable time	nOE to 2Y; see Figure 8 ^[4]						
		V _{CC(B)} = 1.1 V to 1.3 V	5.1	13.9	28.5	4.6	29.2	ns
		V _{CC(B)} = 1.4 V to 1.6 V	4.3	11.7	25.4	3.8	26.2	ns
C_L = 30 pF; V_{CC(A)} = 1.4 V to 1.6 V								
t _{en}	enable time	nOE to 2Y; see Figure 8 ^[3]						
		V _{CC(B)} = 1.1 V to 1.3 V	5.1	12.1	26.6	4.6	27.5	ns
		V _{CC(B)} = 1.4 V to 1.6 V	4.3	9.5	19.6	3.8	21.4	ns
		V _{CC(B)} = 1.65 V to 1.95 V	4.0	8.5	17.7	3.5	19.2	ns
t _{dis}	disable time	nOE to 2Y; see Figure 8 ^[4]						
		V _{CC(B)} = 1.1 V to 1.3 V	5.1	12.6	22.0	4.6	22.9	ns
		V _{CC(B)} = 1.4 V to 1.6 V	4.3	10.4	18.9	3.8	19.9	ns
		V _{CC(B)} = 1.65 V to 1.95 V	4.0	11.6	20.1	3.5	21.2	ns

Symbol	Parameter	Conditions	T _{amb} = 25 °C			T _{amb} = -40 °C to +85 °C		Unit
			Min	Typ ^[1]	Max	Min	Max	
C_L = 30 pF; V_{CC(A)} = 1.65 V to 1.95 V								
t _{en}	enable time	nOE to 2Y; see Figure 8 ^[3]						
		V _{CC(B)} = 1.1 V to 1.3 V	5.1	11.4	24.8	4.6	25.6	ns
		V _{CC(B)} = 1.4 V to 1.6 V	4.3	8.7	17.8	3.8	19.5	ns
		V _{CC(B)} = 1.65 V to 1.95 V	4.0	7.7	15.9	3.5	17.3	ns
		V _{CC(B)} = 2.3 V to 2.7 V	3.4	7.1	14.3	3.1	15.3	ns
t _{dis}	disable time	nOE to 2Y; see Figure 8 ^[4]						
		V _{CC(B)} = 1.1 V to 1.3 V	5.1	12.0	20.2	4.6	21.0	ns
		V _{CC(B)} = 1.4 V to 1.6 V	4.3	9.9	17.1	3.8	18.0	ns
		V _{CC(B)} = 1.65 V to 1.95 V	4.0	11.1	18.3	3.5	19.3	ns
		V _{CC(B)} = 2.3 V to 2.7 V	3.4	8.7	15.5	3.2	16.4	ns
C_L = 30 pF; V_{CC(A)} = 2.3 V to 2.7 V								
t _{en}	enable time	nOE to 2Y; see Figure 8 ^[3]						
		V _{CC(B)} = 1.1 V to 1.3 V	5.1	10.6	23.3	4.6	23.9	ns
		V _{CC(B)} = 1.4 V to 1.6 V	4.3	7.9	16.4	3.8	17.8	ns
		V _{CC(B)} = 1.65 V to 1.95 V	4.0	6.9	14.4	3.5	15.6	ns
		V _{CC(B)} = 2.3 V to 2.7 V	3.4	6.2	12.8	3.2	13.6	ns
		V _{CC(B)} = 3.0 V to 3.6 V	3.3	6.1	12.4	3.1	13.0	ns
t _{dis}	disable time	nOE to 2Y; see Figure 8 ^[4]						
		V _{CC(B)} = 1.1 V to 1.3 V	5.1	11.5	18.7	4.6	19.3	ns
		V _{CC(B)} = 1.4 V to 1.6 V	4.3	9.3	15.6	3.8	16.3	ns
		V _{CC(B)} = 1.65 V to 1.95 V	4.0	10.5	16.8	3.5	17.5	ns
		V _{CC(B)} = 2.3 V to 2.7 V	3.4	8.2	14.0	3.2	14.7	ns
		V _{CC(B)} = 3.0 V to 3.6 V	3.3	10.7	17.0	3.1	17.6	ns

Symbol	Parameter	Conditions	T _{amb} = 25 °C			T _{amb} = -40 °C to +85 °C		Unit
			Min	Typ ^[1]	Max	Min	Max	
C_L = 30 pF; V_{CC(A)} = 3.0 V to 3.6 V								
t _{en}	enable time	nOE to 2Y; see Figure 8 ^[3]						
		V _{CC(B)} = 1.1 V to 1.3 V	5.1	10.2	22.9	4.6	23.4	ns
		V _{CC(B)} = 1.4 V to 1.6 V	4.3	7.6	15.9	3.8	17.2	ns
		V _{CC(B)} = 1.65 V to 1.95 V	4.0	6.6	14.0	3.5	15.1	ns
		V _{CC(B)} = 2.3 V to 2.7 V	3.4	5.8	12.4	3.2	13.1	ns
		V _{CC(B)} = 3.0 V to 3.6 V	3.3	5.6	12.0	3.1	12.5	ns
t _{dis}	disable time	nOE to 2Y; see Figure 8 ^[4]						
		V _{CC(B)} = 1.1 V to 1.3 V	5.1	11.2	18.3	4.6	18.8	ns
		V _{CC(B)} = 1.4 V to 1.6 V	4.3	9.1	15.2	3.8	15.8	ns
		V _{CC(B)} = 1.65 V to 1.95 V	4.0	10.2	16.4	3.5	17.0	ns
		V _{CC(B)} = 2.3 V to 2.7 V	3.4	7.9	13.6	3.2	14.2	ns
		V _{CC(B)} = 3.0 V to 3.6 V	3.3	10.5	16.5	3.1	17.1	ns
C_L = 5 pF, 10 pF, 15 pF and 30 pF								
C _{PD}	power dissipation capacitance	output 2Y; f _i = 1 MHz; V _I = 0 V to V _{CC} ^[5]						
		V _{CC(A)} = V _{CC(B)} = 1.2 V	-	2.8	-	-	-	pF
		V _{CC(A)} = V _{CC(B)} = 1.5 V	-	3.0	-	-	-	pF
		V _{CC(A)} = V _{CC(B)} = 1.8 V	-	3.0	-	-	-	pF
		V _{CC(A)} = V _{CC(B)} = 2.5 V	-	3.6	-	-	-	pF
		V _{CC(A)} = V _{CC(B)} = 3.3 V	-	4.1	-	-	-	pF

[1] All typical values are measured at nominal V_{CC(A)} and V_{CC(B)}.

[2] t_{pd} is the same as t_{PLH} and t_{PHL}.

[3] t_{en} is the same as t_{PZH} and t_{PZL}.

[4] t_{dis} is the same as t_{PHZ} and t_{PLZ}.

[5] C_{PD} is used to determine the dynamic power dissipation (P_D in μW).

$$P_D = C_{PD} \times V_{CC}^2 \times f_i \times N + \Sigma(C_L \times V_{CC}^2 \times f_o) \text{ where:}$$

f_i = input frequency in MHz;

f_o = output frequency in MHz;

C_L = load capacitance in pF;

V_{CC} = supply voltage in V;

N = number of inputs switching;

Σ(C_L × V_{CC}² × f_o) = sum of the outputs.

12.1 Waveforms and test circuit

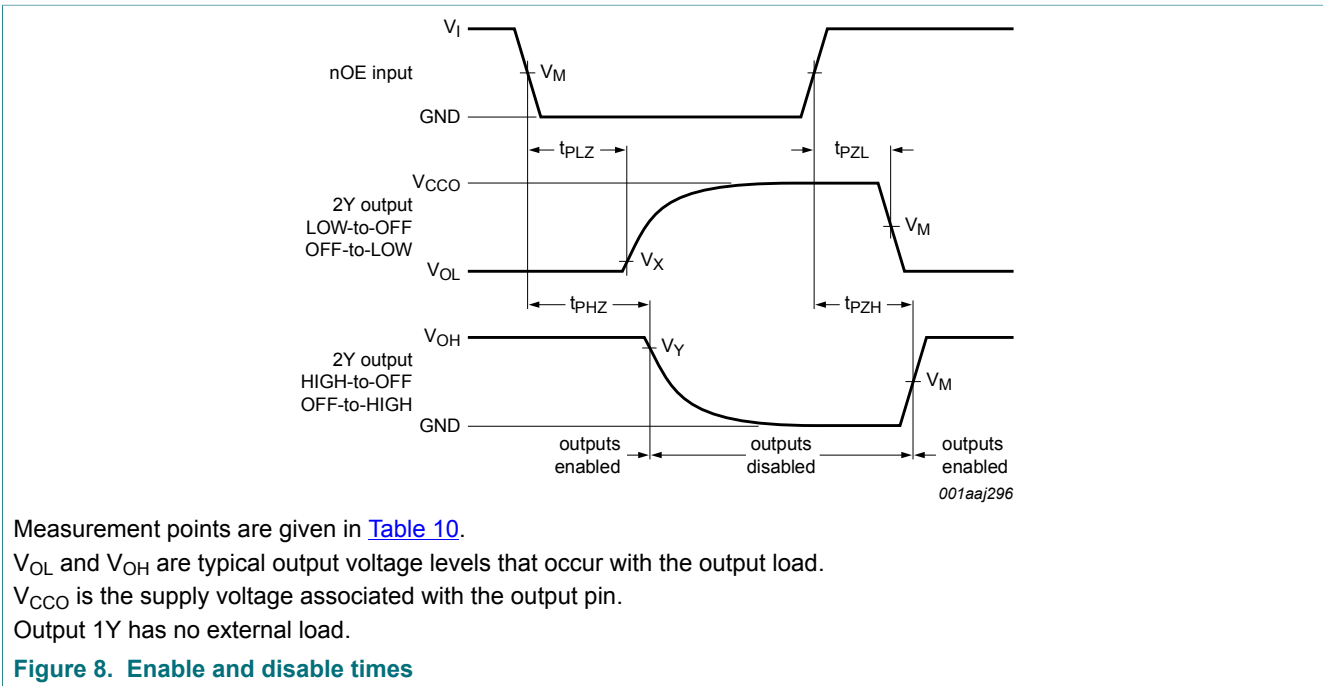
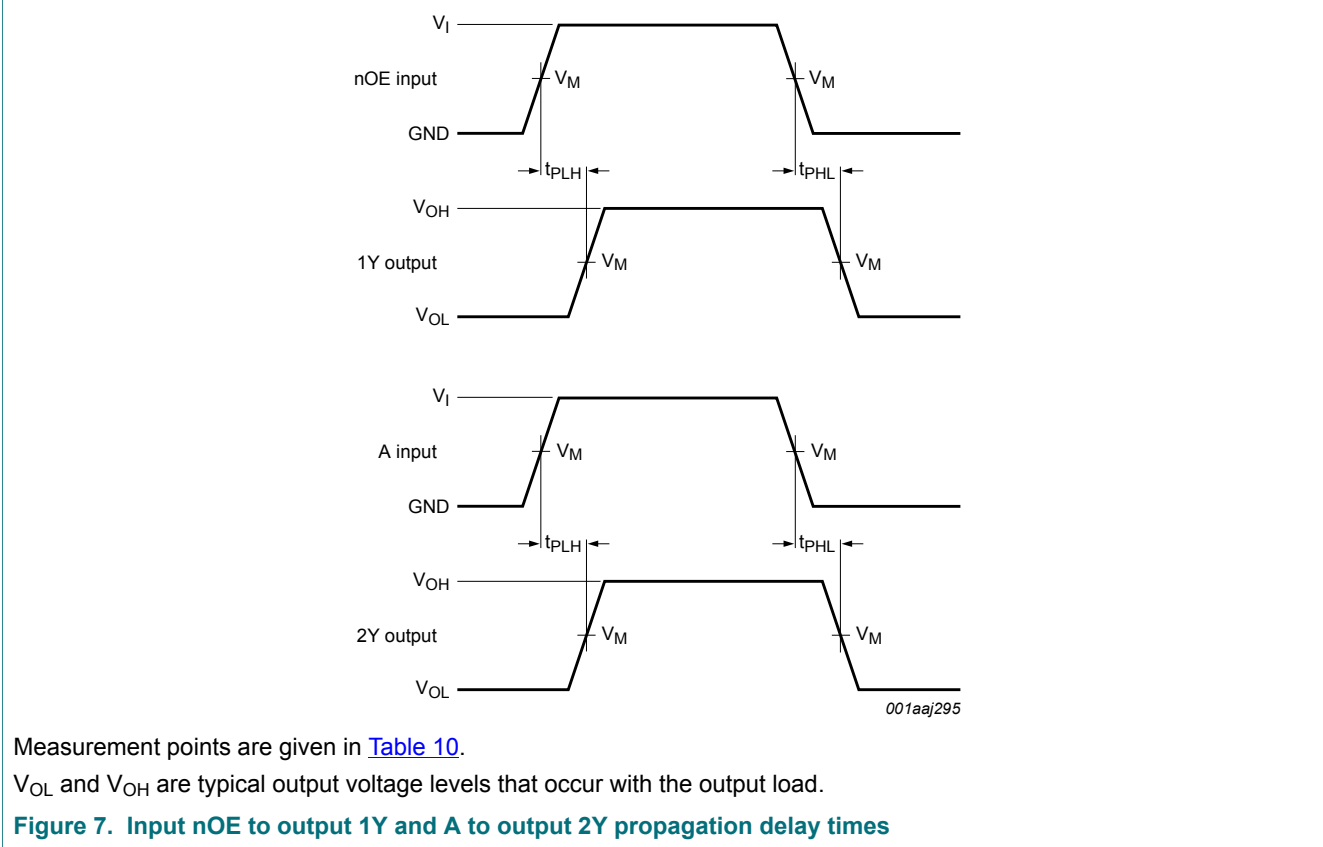


Table 10. Measurement points

Supply voltage	Input ^[1]	Output ^[2]		
$V_{CC(A)}, V_{CC(B)}$	V_M	V_M	V_X	V_Y
1.1 V to 1.6 V	$0.5V_{CCI}$	$0.5V_{CCO}$	$V_{OL} + 0.1 V$	$V_{OH} - 0.1 V$
1.65 V to 2.7 V	$0.5V_{CCI}$	$0.5V_{CCO}$	$V_{OL} + 0.15 V$	$V_{OH} - 0.15 V$
3.0 V to 3.6 V	$0.5V_{CCI}$	$0.5V_{CCO}$	$V_{OL} + 0.3 V$	$V_{OH} - 0.3 V$

[1] V_{CCI} is the supply voltage associated with the data input port.
 [2] V_{CCO} is the supply voltage associated with the output port.

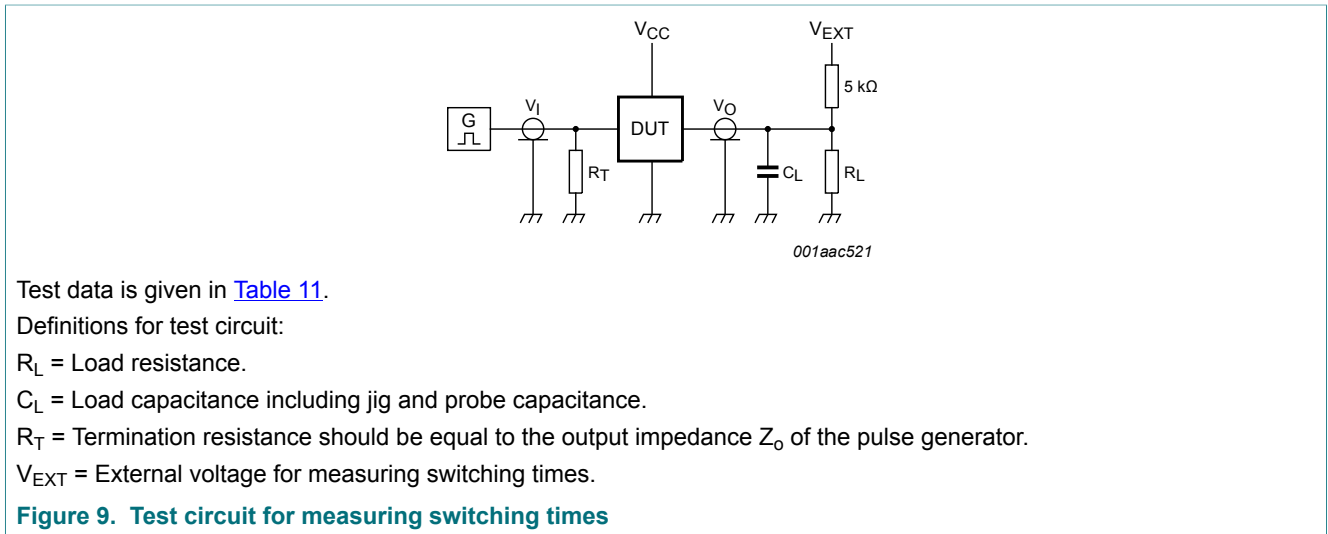


Table 11. Test data

Supply voltage	Input		Load ^[1]		V_{EXT}			
$V_{CC(A)}, V_{CC(B)}$	V_I ^[2]	$t_r = t_f$	C_L	R_L ^[3]	t_{PLH}, t_{PHL}	t_{PZH}, t_{PHZ}	t_{PZL}, t_{PLZ} ^[4]	
1.1 V to 3.6 V	V_{CCI}	$\leq 3.0 ns$	5 pF, 10 pF, 15 pF and 30 pF	5 kΩ or 1 MΩ	open	GND	$2V_{CCO}$	

[1] For measuring enable and disable times, C_L and R_L are connected to pin 2Y. Pin 1Y has no load.
 [2] V_{CCI} is the supply voltage associated with the data input port.
 [3] For measuring enable and disable times $R_L = 5 k\Omega$, for measuring propagation delays $R_L = 1 M\Omega$.
 [4] V_{CCO} is the supply voltage associated with the output port.

13 Package outline

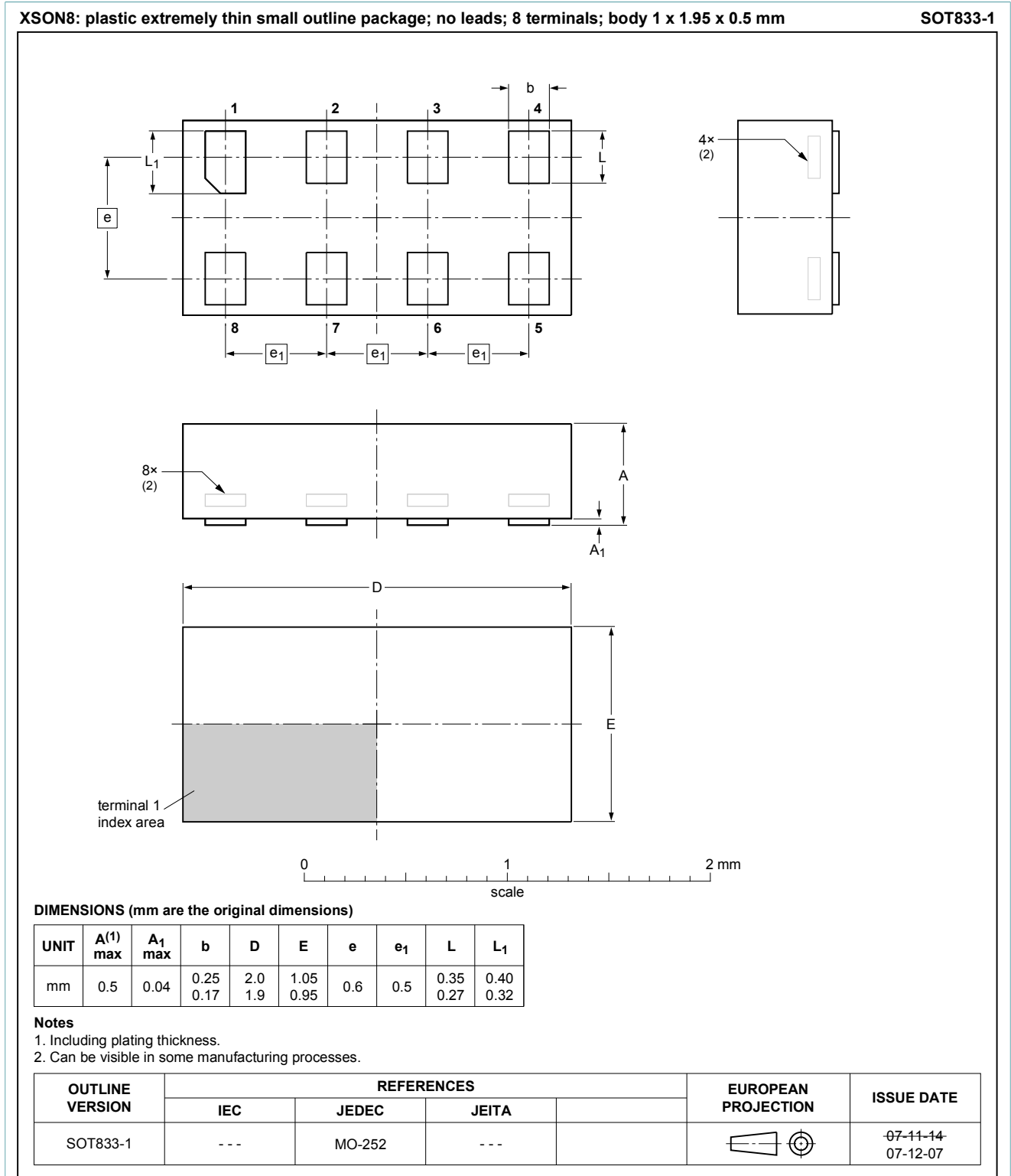


Figure 10. Package outline SOT833-1 (XSON8)

14 Abbreviations

Table 12. Abbreviations

Acronym	Description
CDM	Charged Device Model
DUT	Device Under Test
ESD	ElectroStatic Discharge
HBM	Human Body Model
MM	Machine Model

15 Revision history

Table 13. Revision history

Document ID	Release date	Data sheet status	Change notice	Supersedes
74AUP1T1326 v.2	20180716	Product data sheet	-	74AUP1T1326 v.1
Modifications:	<ul style="list-style-type: none">The format of this data sheet has been redesigned to comply with the identity guidelines of Nexperia.Legal texts have been adapted to the new company name where appropriate.			
74AUP1T1326 v.1	20090120	Product data sheet	-	-

16 Legal information

16.1 Data sheet status

Document status ^{[1][2]}	Product status ^[3]	Definition
Objective [short] data sheet	Development	This document contains data from the objective specification for product development.
Preliminary [short] data sheet	Qualification	This document contains data from the preliminary specification.
Product [short] data sheet	Production	This document contains the product specification.

[1] Please consult the most recently issued document before initiating or completing a design.

[2] The term 'short data sheet' is explained in section "Definitions".

[3] The product status of device(s) described in this document may have changed since this document was published and may differ in case of multiple devices. The latest product status information is available on the Internet at URL <http://www.nexperia.com>.

16.2 Definitions

Draft — The document is a draft version only. The content is still under internal review and subject to formal approval, which may result in modifications or additions. Nexperia does not give any representations or warranties as to the accuracy or completeness of information included herein and shall have no liability for the consequences of use of such information.

Short data sheet — A short data sheet is an extract from a full data sheet with the same product type number(s) and title. A short data sheet is intended for quick reference only and should not be relied upon to contain detailed and full information. For detailed and full information see the relevant full data sheet, which is available on request via the local Nexperia sales office. In case of any inconsistency or conflict with the short data sheet, the full data sheet shall prevail.

Product specification — The information and data provided in a Product data sheet shall define the specification of the product as agreed between Nexperia and its customer, unless Nexperia and customer have explicitly agreed otherwise in writing. In no event however, shall an agreement be valid in which the Nexperia product is deemed to offer functions and qualities beyond those described in the Product data sheet.

16.3 Disclaimers

Limited warranty and liability — Information in this document is believed to be accurate and reliable. However, Nexperia does not give any representations or warranties, expressed or implied, as to the accuracy or completeness of such information and shall have no liability for the consequences of use of such information. Nexperia takes no responsibility for the content in this document if provided by an information source outside of Nexperia. In no event shall Nexperia be liable for any indirect, incidental, punitive, special or consequential damages (including - without limitation - lost profits, lost savings, business interruption, costs related to the removal or replacement of any products or rework charges) whether or not such damages are based on tort (including negligence), warranty, breach of contract or any other legal theory. Notwithstanding any damages that customer might incur for any reason whatsoever, Nexperia's aggregate and cumulative liability towards customer for the products described herein shall be limited in accordance with the Terms and conditions of commercial sale of Nexperia.

Right to make changes — Nexperia reserves the right to make changes to information published in this document, including without limitation specifications and product descriptions, at any time and without notice. This document supersedes and replaces all information supplied prior to the publication hereof.

Suitability for use — Nexperia products are not designed, authorized or warranted to be suitable for use in life support, life-critical or safety-critical

systems or equipment, nor in applications where failure or malfunction of an Nexperia product can reasonably be expected to result in personal injury, death or severe property or environmental damage. Nexperia and its suppliers accept no liability for inclusion and/or use of Nexperia products in such equipment or applications and therefore such inclusion and/or use is at the customer's own risk.

Applications — Applications that are described herein for any of these products are for illustrative purposes only. Nexperia makes no representation or warranty that such applications will be suitable for the specified use without further testing or modification. Customers are responsible for the design and operation of their applications and products using Nexperia products, and Nexperia accepts no liability for any assistance with applications or customer product design. It is customer's sole responsibility to determine whether the Nexperia product is suitable and fit for the customer's applications and products planned, as well as for the planned application and use of customer's third party customer(s). Customers should provide appropriate design and operating safeguards to minimize the risks associated with their applications and products. Nexperia does not accept any liability related to any default, damage, costs or problem which is based on any weakness or default in the customer's applications or products, or the application or use by customer's third party customer(s). Customer is responsible for doing all necessary testing for the customer's applications and products using Nexperia products in order to avoid a default of the applications and the products or of the application or use by customer's third party customer(s). Nexperia does not accept any liability in this respect.

Limiting values — Stress above one or more limiting values (as defined in the Absolute Maximum Ratings System of IEC 60134) will cause permanent damage to the device. Limiting values are stress ratings only and (proper) operation of the device at these or any other conditions above those given in the Recommended operating conditions section (if present) or the Characteristics sections of this document is not warranted. Constant or repeated exposure to limiting values will permanently and irreversibly affect the quality and reliability of the device.

Terms and conditions of commercial sale — Nexperia products are sold subject to the general terms and conditions of commercial sale, as published at <http://www.nexperia.com/profile/terms>, unless otherwise agreed in a valid written individual agreement. In case an individual agreement is concluded only the terms and conditions of the respective agreement shall apply. Nexperia hereby expressly objects to applying the customer's general terms and conditions with regard to the purchase of Nexperia products by customer.

No offer to sell or license — Nothing in this document may be interpreted or construed as an offer to sell products that is open for acceptance or the grant, conveyance or implication of any license under any copyrights, patents or other industrial or intellectual property rights.

Export control — This document as well as the item(s) described herein may be subject to export control regulations. Export might require a prior authorization from competent authorities.

Non-automotive qualified products — Unless this data sheet expressly states that this specific Nexperia product is automotive qualified, the product is not suitable for automotive use. It is neither qualified nor tested in accordance with automotive testing or application requirements. Nexperia accepts no liability for inclusion and/or use of non-automotive qualified products in automotive equipment or applications. In the event that customer uses the product for design-in and use in automotive applications to automotive specifications and standards, customer (a) shall use the product without Nexperia's warranty of the product for such automotive applications, use and specifications, and (b) whenever customer uses the product for automotive applications beyond Nexperia's specifications such use shall be solely at customer's own risk, and (c) customer fully indemnifies Nexperia for any liability, damages or failed product claims resulting from customer

design and use of the product for automotive applications beyond Nexperia's standard warranty and Nexperia's product specifications.

Translations — A non-English (translated) version of a document is for reference only. The English version shall prevail in case of any discrepancy between the translated and English versions.

16.4 Trademarks

Notice: All referenced brands, product names, service names and trademarks are the property of their respective owners.

Contents

1	General description	1
2	Features and benefits	1
3	Ordering information	2
4	Marking	2
5	Functional diagram	2
6	Pinning information	3
6.1	Pinning	3
6.2	Pin description	3
7	Functional description	3
8	Limiting values	4
9	Recommended operating conditions	4
10	Static characteristics	5
11	Transfer characteristics	7
11.1	Waveforms transfer characteristics	8
12	Dynamic characteristics	9
12.1	Waveforms and test circuit	19
13	Package outline	21
14	Abbreviations	22
15	Revision history	22
16	Legal information	23

Please be aware that important notices concerning this document and the product(s) described herein, have been included in section 'Legal information'.

© Nexperia B.V. 2018.

All rights reserved.

For more information, please visit: <http://www.nexperia.com>

For sales office addresses, please send an email to: salesaddresses@nexperia.com

Date of release: 16 July 2018

Document identifier: 74AUP1T1326